



MAX6643LB Evaluation Kit

General Description

The MAX6643LB evaluation kit (EV kit) is a fully assembled and tested surface-mount circuit board that demonstrates the operation of the MAX6643LB fan controller. The MAX6643LB monitors its internal temperature and the junction temperature of an optional external diode-connected transistor. Based on the temperature measurements, the MAX6643LB generates a PWM waveform that drives the gate of an external n-channel power MOSFET, which modulates the cooling fan's power supply, thus providing automatic fan-speed control.

The high- and low-temperature fan-control thresholds are easily programmable by connecting programming pins to ground or supply or leaving them disconnected. The fan-control algorithm is optimized to minimize the audible artifacts of varying fan speeds. Fan failure is detected by monitoring the fan's tachometer output. Also provided is an over-temperature output with pin-programmable threshold.

The EV kit can also be used to evaluate other versions of the MAX6643/MAX6644 fan-controlling ICs.

Component List

DESIGNATION	QTY	DESCRIPTION
C1	1	47 μ F \pm 20%, 6.3V OxiCap capacitor (C) AVX NOJC476M006
C2	1	0.1 μ F \pm 10%, 16V X7R ceramic capacitor (0603) Murata GRM188R71C104K
C3, C5	0	Not installed, capacitors (0603)
C4	1	2200pF \pm 10%, 50V COG ceramic capacitor (0603) Murata GRM1885C1H222K
JU1–JU8	8	3-pin headers
N1	1	30V, 1.4A n-channel MOSFET (SOT23) Fairchild Semiconductor NDS351AN
R1, R3, R6, R7	4	4.7k Ω \pm 5% resistors (0603)
R2	0	Not installed, resistor (1210)
R4, R5	0	Not installed, resistors (0603)
TP1, TP2	2	Test points (red)
U1	1	MAX6643LBBAEE (16-pin QSOP)
None	8	Shunts (JU1–JU8)
None	1	MAX6643LB EV kit board

Features

- ◆ Automatic Fan-Speed Control
- ◆ Local and Remote Temperature Sensing
- ◆ Programmable Low, High, and Over-Temperature Thresholds
- ◆ Minimizes Acoustic Noise
- ◆ Fan-Failure Detection
- ◆ Configured for 5V to 12V Fans Up to 1A
- ◆ Reconfigurable for Up to Two Fans
- ◆ Surface-Mount Components
- ◆ Fully Assembled and Tested
- ◆ Evaluates All Versions of the MAX6643 and MAX6644 (IC Replacement Required)

Ordering Information

PART	TEMP RANGE	IC PACKAGE
MAX6643LBEVKIT	0°C to +70°C	16 QSOP

Quick Start

Note: The *Quick Start* section assumes that the high, low, and over-temperature thresholds of +40°C, +30°C, and +60°C, respectively, are not exceeded under normal operating conditions. To reconfigure the EV kit for other operating temperatures, see the *Temperature Thresholds* section.

Recommended Equipment

- 5V, 1A, power supply (PS1)
- Fan with tachometer output, rated to operate between 5V to 12V at 200mA to 500mA
- Power supply capable of driving 5V to 12V load at 1A (PS2)
- Oscilloscope (e.g., Tektronics TDS3014 or equivalent)

The MAX6643LB EV kit is fully assembled and tested. Follow these steps to verify the MAX6643LB EV kit board operation. **Do not turn on the power supply until all connections are completed:**

- 1) Verify that no shunts are installed on jumpers JU1 and JU8 to configure the high-temperature threshold to +40°C.
- 2) Verify that no shunt is installed on jumper JU2. Verify that a shunt is installed across pins 2 and 3 of



MAX6643LB Evaluation Kit

Component Suppliers

SUPPLIER	PHONE	FAX	WEBSITE
AVX	843-946-0238	843-626-3123	www.avxcorp.com
Fairchild	888-522-5372	—	www.fairchildsemi.com
Murata	770-436-1300	770-436-3030	www.murata.com

Note: Indicate that you are using the MAX6643LB EV kit when contacting these component suppliers.

- jumper JU3. This configures the low-temperature threshold to +30°C.
- Verify that a shunt is installed across pins 1 and 2 of jumper JU4. This enables fan-failure detection through the fan's tachometer output.
 - Verify that a shunt is installed across pins 2 and 3 of jumper JU5 to configure the EV kit to PWM control the fan speed.
 - Verify that shunts are installed across pins 2 and 3 of jumpers JU6 and JU7 to configure over-temperature threshold to +60°C.
 - Connect the PS1 power supply across the VDD and GND PC board pads located above capacitor C1.
 - Connect the PS1 power supply across the VGFAN and GND PC board pads located near jumpers JU6 and JU7.
 - Preset the PS2 power supply to the operating voltage of the cooling fan.
 - Connect the PS2 power supply across the VFAN and GND PC board pads located near resistor R2.
 - Connect the fan's positive and negative supply terminals across FAN+ and FAN- PC board pads located near MOSFET N1. Connect the fan's tachometer output terminal to FAN_IN1 PC board pad.
 - Preset the oscilloscope channel 1 voltage scale to 5V/div and time scale to 20ms/div.
 - Preset the oscilloscope to measure the duty cycle of the channel 1 waveform.
 - Connect the channel 1 oscilloscope probe across TP2 and GND PC board pads.
 - Turn on power supplies PS1 and PS2.
 - Verify that the fan is rotating.
 - Verify that after the spin-up period, channel 1 displays a square waveform with approximately 30% negative duty cycle.
 - Increase the ambient temperature by blowing hot air on the MAX6643LB IC.

- Verify that the channel 1 waveform duty cycle and the fan's speed increase.
- Once the channel 1 duty cycle reaches 40%, stop blowing hot air.
- Let the IC cool down and verify that the channel 1 waveform's duty cycle and the fan's speed decrease.

Detailed Description

The MAX6643LB EV kit circuit uses the MAX6643LB controller (U1) to monitor its internal temperature and that of an optional external diode-connected transistor. The EV kit circuit uses the temperature measurement results to automatically adjust the speed of a user-supplied fan to ensure optimum cooling while minimizing acoustic noise from the fan. The MAX6643LB controls the fan speed by generating a variable duty-cycle PWM signal that drives the gate of MOSFET N1. N1 pulse-width modulates the fan's power supply, which adjusts the fan speed approximately in proportion to the duty cycle. The fan can be set to full speed by pulling the FULLSPD pin high using jumper JU5.

The MAX6643LB EV kit features programmable low-, high-, and over-temperature thresholds. When the measured temperature exceeds the high-temperature threshold, the MAX6643LB starts incrementing the duty cycle of the waveform driving MOSFET N1 in 1.5% steps every 4s. This process continues until the duty cycle (and therefore the fan's speed) becomes high enough to reduce the temperature below the high-temperature threshold. Note that the higher of the internal or external temperatures is used for determining the PWM duty cycle. The gradual change in the duty cycle reduces the audibility of the variations in the fan's speed. When the measured temperature goes below the low-temperature threshold, the MAX6643LB starts decrementing the duty cycle of the pulse-driving MOSFET N1. This process continues until the duty cycle is low enough to allow the operating temperature to rise above the low-temperature threshold. When the operating temperature exceeds the over-temperature threshold, the MAX6643LB asserts a logic-low

MAX6643LB Evaluation Kit

Evaluates: MAX6643/MAX6644

on the \overline{OT} pin. This signal is available at the \overline{OT} PC board pad.

EV Kit Configuration

The MAX6643LB EV kit features several jumpers to reconfigure the EV kit for various modes of operation.

Fan-Failure Detection

Fans equipped with tachometer outputs can be monitored through the FAN_IN1 and FAN_IN2 pins. For use with a single fan, FAN_IN1 and FAN_IN2 pads are shorted together by resistor R4. To access the FAN_IN2 pin of the MAX6643LB, cut open the PC short across resistor R4 and replace resistor R5 with a 4.7k Ω resistor.

Fan-failure detection is enabled during the spin-up period and whenever the measured temperature is high enough to cause the PWM duty cycle to be 100%. Upon detecting a fan failure, the MAX6643LB pulls the FANFAIL pin low, which may be used to trigger an alarm. This function can be disabled by removing the shunt on jumper JU4.

The MAX6644 can detect fan failure by measuring voltage pulses across current-sensing resistor R2 (when properly selected) or by detecting a “locked-rotor” output on fans so equipped. See Table 1 for MAX6643LB TACHSET options accessible through jumper JU4.

Table 1. Jumper JU4 Function

SHUNT LOCATION	TACHSET PIN CONNECTIONS	EV KIT FUNCTION
1 and 2	Connected to V _{DD}	Detects fan failure through the fan's tachometer output.
2 and 3 (MAX6644 only)	Connected to GND	Fan-failure detection disabled.
Not installed	Floating	

Temperature Thresholds

The MAX6643LB EV kit high, low, and over-temperature thresholds are set by configuring jumpers JU1 to JU3 and JU6 to JU8. To reconfigure the high-, low-, and over-temperature thresholds, see Table 2, Table 3, and Table 4, respectively.

Table 2. High-Temperature Setting

JUMPER JU8 SHUNT POSITION	JUMPER JU1 SHUNT POSITION	EV KIT HIGH-TEMPERATURE THRESHOLD (°C)
2 and 3	2 and 3	+20
2 and 3	Not installed	+25
2 and 3	1 and 2	+30
Not installed	2 and 3	+35
Not installed	Not installed	+40*
Not installed	1 and 2	+45
1 and 2	2 and 3	+50
1 and 2	Not installed	+55
1 and 2	1 and 2	+60

*Default value for the Quick Start setting.

Table 3. Low-Temperature Setting

JUMPER JU2 SHUNT POSITION	JUMPER JU3 SHUNT POSITION	EV KIT LOW-TEMPERATURE THRESHOLD (°C)
2 and 3	2 and 3	+15
2 and 3	Not installed	+20
2 and 3	1 and 2	+25
Not installed	2 and 3	+30*
Not installed	Not installed	+35
Not installed	1 and 2	+40
1 and 2	2 and 3	+45
1 and 2	Not installed	+50
1 and 2	1 and 2	+55

*Default value for the Quick Start setting.

Table 4. Over-Temperature Setting

JUMPER JU6 SHUNT POSITION	JUMPER JU7 SHUNT POSITION	EV KIT OVER-TEMPERATURE THRESHOLD (°C)
2 and 3	2 and 3	+60*
2 and 3	Not installed	+65
2 and 3	1 and 2	+70
Not installed	2 and 3	+75
Not installed	Not installed	+80
Not installed	1 and 2	+85
1 and 2	2 and 3	+90
1 and 2	Not installed	+95
1 and 2	1 and 2	+100

*Default value for the Quick Start setting.

MAX6643LB Evaluation Kit

MAX6643LB Full-Speed Operation

When the FULLSPD pin is pulled low, the MAX6643LB controls the fan speed by generating a variable duty-cycle PWM signal that drives the gate of MOSFET N1. The fan can be set to run at full speed by forcing the PWM signal to 100% duty cycle. To choose between the two modes of operation, see Table 5.

Table 5. Full-Speed Setting

JUMPER JU5 SHUNT POSITION	FULLSPD PIN CONNECTIONS	EV KIT FUNCTION
1 and 2	Connected to VDD	Fan runs at full speed.
2 and 3	Connected to GND	Fan speed is set by PWM waveform driving the gate of MOSFET N1.

Temperature Sensing

The MAX6643LB senses its internal temperature and that of an external diode-connected transistor. The higher of the two temperatures is used to control the fan's speed. To measure external temperature, connect the DXP and GND PC pads to a diode-connected transistor (e.g., Central Semiconductor CMPT3906). For remote temperature sensing, use twisted-pair wire to reduce noise coupling at the DXP pin.

Evaluating Other MAX6643 and MAX6644 Versions

The MAX6643LB EV kit can also evaluate other versions of the MAX6643 and MAX6644 IC. The MAX6643LB IC must be removed and replaced with the desired IC. Refer to the MAX6643/MAX6644 IC data sheet for detailed information about these parts. Depending upon your version of the MAX6643/MAX6644, some of the external components may need replacement.

When evaluating other versions of the MAX6643/MAX6644, the FULLSPD signal may be inverted. Refer to the MAX6643/MAX6644 data sheet for the specific IC being evaluated.

To use the MAX6644 fan-supply current-sensing feature, cut open the PC trace short across resistor R2 on the MAX6643LB EV kit board. Select an appropriate value and wattage for resistor R2 by referring to the MAX6644 IC data sheet, place a 0.1 μ F capacitor across C3, and remove resistor R3. To configure fan-failure detection mode, see Table 1.

MAX6643LB Evaluation Kit

Evaluates: MAX6643/MAX6644

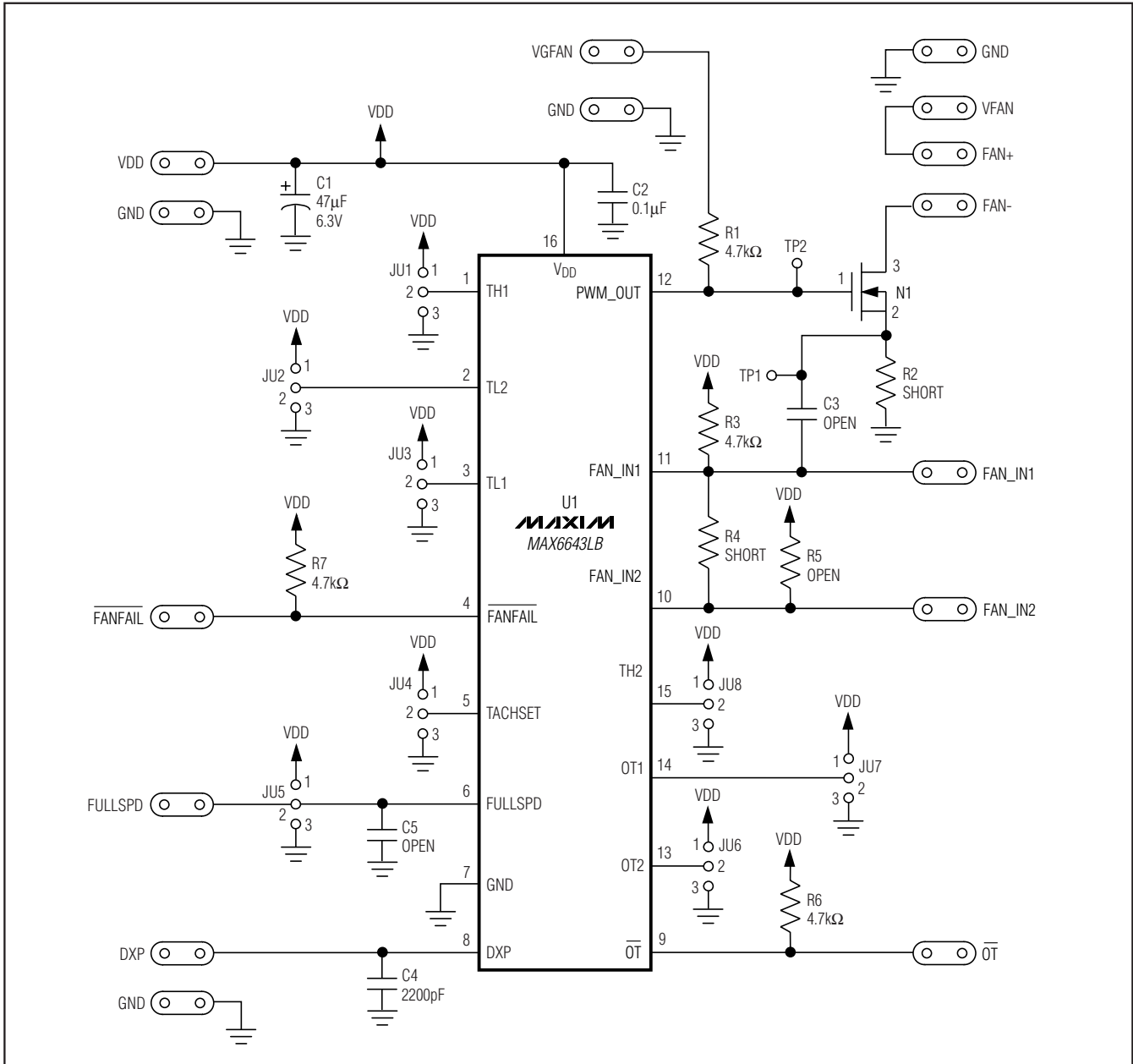


Figure 1. MAX6643LB EV Kit Schematic

MAX6643LB Evaluation Kit

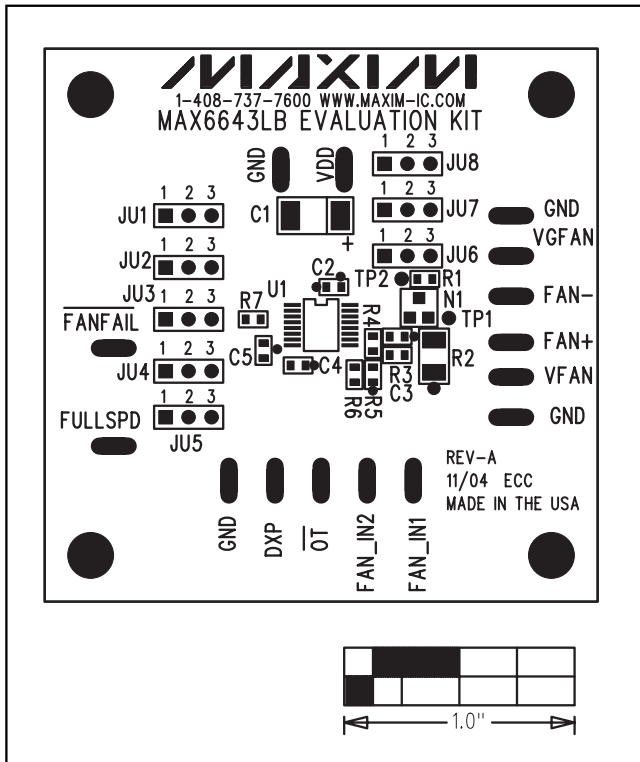


Figure 2. MAX6643LB EV Kit Component Placement Guide—Component Side

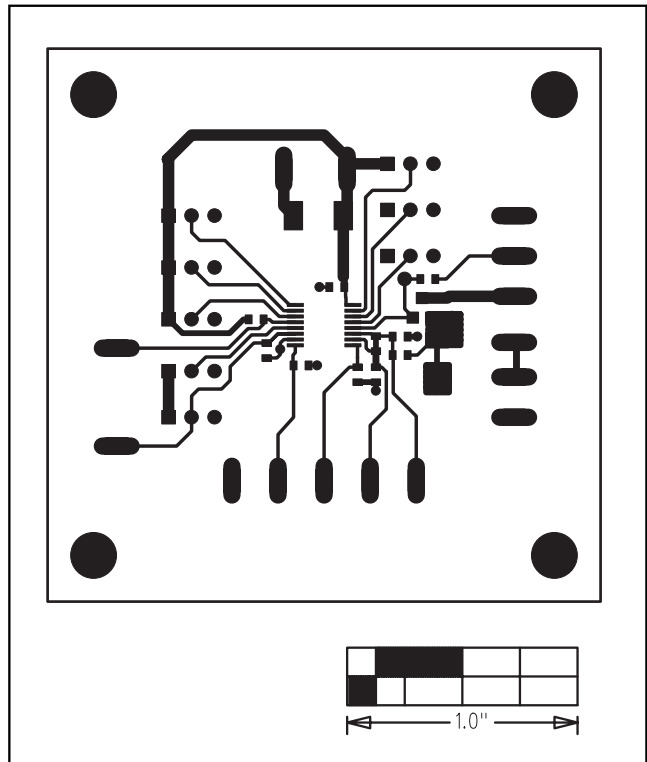


Figure 3. MAX6643LB EV Kit PC Board Layout—Component Side

MAX6643LB Evaluation Kit

Evaluates: MAX6643/MAX6644

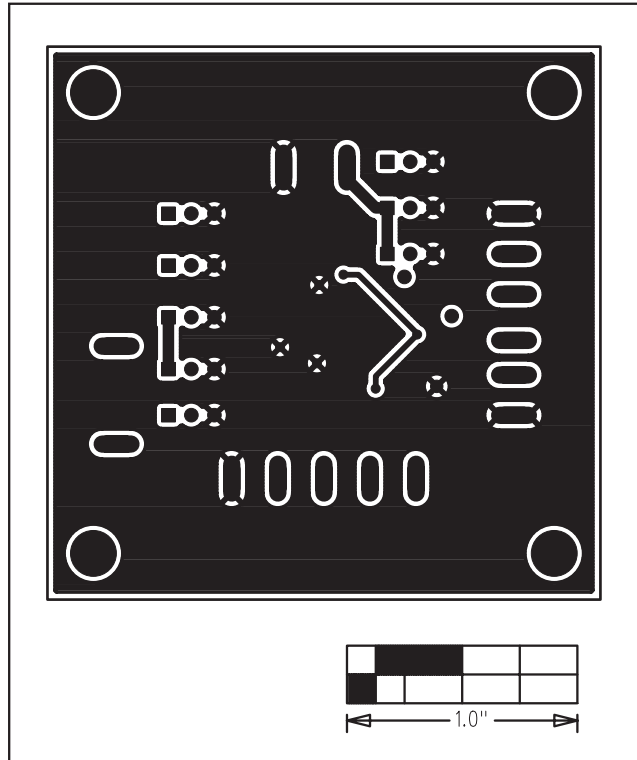


Figure 4. MAX6643LB EV Kit PC Board Layout—Solder Side

Maxim cannot assume responsibility for use of any circuitry other than circuitry entirely embodied in a Maxim product. No circuit patent licenses are implied. Maxim reserves the right to change the circuitry and specifications without notice at any time.

Maxim Integrated Products, 120 San Gabriel Drive, Sunnyvale, CA 94086 408-737-7600 _____ 7